



4x2

SITRAK G5

ERGONOMIC DESIGN

- Driver and Passenger ISRI seats
- Dual Continental displays
- 4 Camera CCTV Monitoring

BUILT FOR RELIABILITY

- 280 HP Euro 5 German Technology Engine
- 6 Speed Allison Automatic

SAFETY AT ITS FINEST

- Advanced emergency braking
- Hill start assist
- Lane departure warning

SITRAK

SPECIFICATIONS 4x2

DIMENSIONS (mm)

		G5
OAL	Overall length	9290
FOH	Front overhang	1430
WB	Wheelbase	6000
ROH	Rear overhang	1860
FSC		517
CT		5483
CBL		7343
RT	Rear Track	1870
ORT	Outer Rear Track	2472
	Front ground clearance	255
	Rear ground clearance	250
	Turning circle (kerb to kerb)	21105
	Approach Angle (°)	19
	Departure Angle (°)	11

CAB DIMENSIONS (mm)

		G5
OH	Unladen height	3100
	Laden height	3030
CW	Cab width	2380

SUSPENSION (mm)

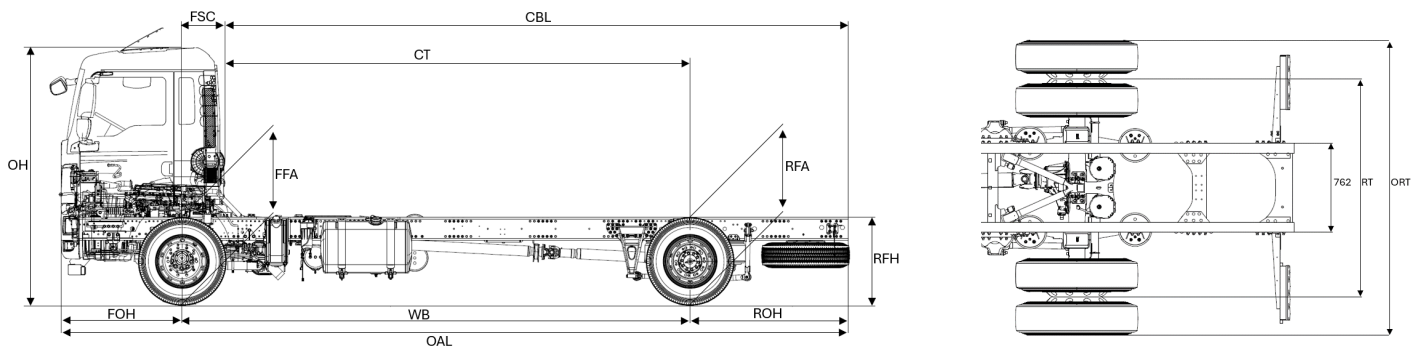
		G5
RFH	Unladen	980
	Laden	970

MASS RATINGS

- GVM / GCM 18.0 tonnes / 30.0 tonnes

	G5
Chassis mass front	4.01 tonnes*
Chassis mass rear	1.95 tonnes*
Chassis mass total	5.96 tonnes*

*Weights are to standard configuration and include chassis cab with no driver or fuel.



ENGINE

280 hp Euro 5 German Technology MC07.28-50

Power Rating: 205 kw @ 1900 rpm

Maximum Torque: 1100 Nm @ 1200-1800 rpm

Emissions Technology: Selective Catalytic Reduction

Total Displacement: 6.870 litre

Exhaust: Catalytic muffler with integrated SCR catalyser

TRANSMISSION

6-speed Allison Automatic

Model: 3000 Series

- 2-pedal operation with automatic and manual shift control

Optional: Power Take-Off (PTO)

STEERING

Type: ZF 8098 power-assisted with gear driven pump

Gear Ratio: 23:01 (22.20~26.20)

FRONT AXLE & SUSPENSION

Type: VPD71DS (G5)

Capacity: 7.0 tonnes

Suspension Type: Non-Independent 3 parabolic leaf springs

REAR AXLE & SUSPENSION

Sinotruk MCY11 (Disc)

Capacity: 11.0 tonnes

Ratios: 4.63

- Optional: 3.08, 3.36, 3.7, 4.11, 5.29

Suspension Type: Air Ride 4 bag with ECAS to control ride height

Differential: Driver controlled differential locks

BRAKES

Type: Wabco EBS/ESC/ASR

Park Brake: Spring brake

Auxiliary Braking: Air controlled exhaust brake

Front Diameter: 430 mm Disc

Rear Diameter: 375 mm Disc

- Aluminium air reservoirs

FUEL CAPACITY

300 litre rectangular aluminium tank & 40 litre AdBlue tank (LHS)

CHASSIS

Type: 270 x 85 x 8 mm medium tensile steel channel

- Polypropylene bumper with fog and driving lights

- FUP

- Trapezium Frame

ELECTRICAL SYSTEM

Type: Double/Control Positive Pole

Voltage: 24 Volt

Batteries: 2x12V 180 Ah with isolation switch

Alternator: 28 Volt – 80 Amp

WHEELS & TYRES

Wheels: 22.5x9.0 10-stud 335 mm alloy

Front Tyres: 295/80 R22.5

Rear Tyres: 11 R22.5

CAB FEATURES

- Fully adjustable ISRI self-levelling air suspension driver's and passenger seat with headrest, armrest, heated and ventilated, adjustable damper and integrated lap-sash retractor seat belt
- 90° opening doors with electronically operated windows
- 7.1" Multimedia touchscreen Radio/Wi-Fi/Bluetooth and steering wheel controls
- Overhead storage compartments, centre console drawer and tray, dual cupholders, door pockets.
- Automatic climate control
- Daytime Running Lights (DRL)
- Electrohydraulic cab tilt
- Four-point cab mounting system with air bag suspension
- Heated and electric exterior mirrors with independent convex "spotter" mirror
- CCTV 4 camera front, rear and side facing